

13AV77TF090 (2010)
Drive Transmission

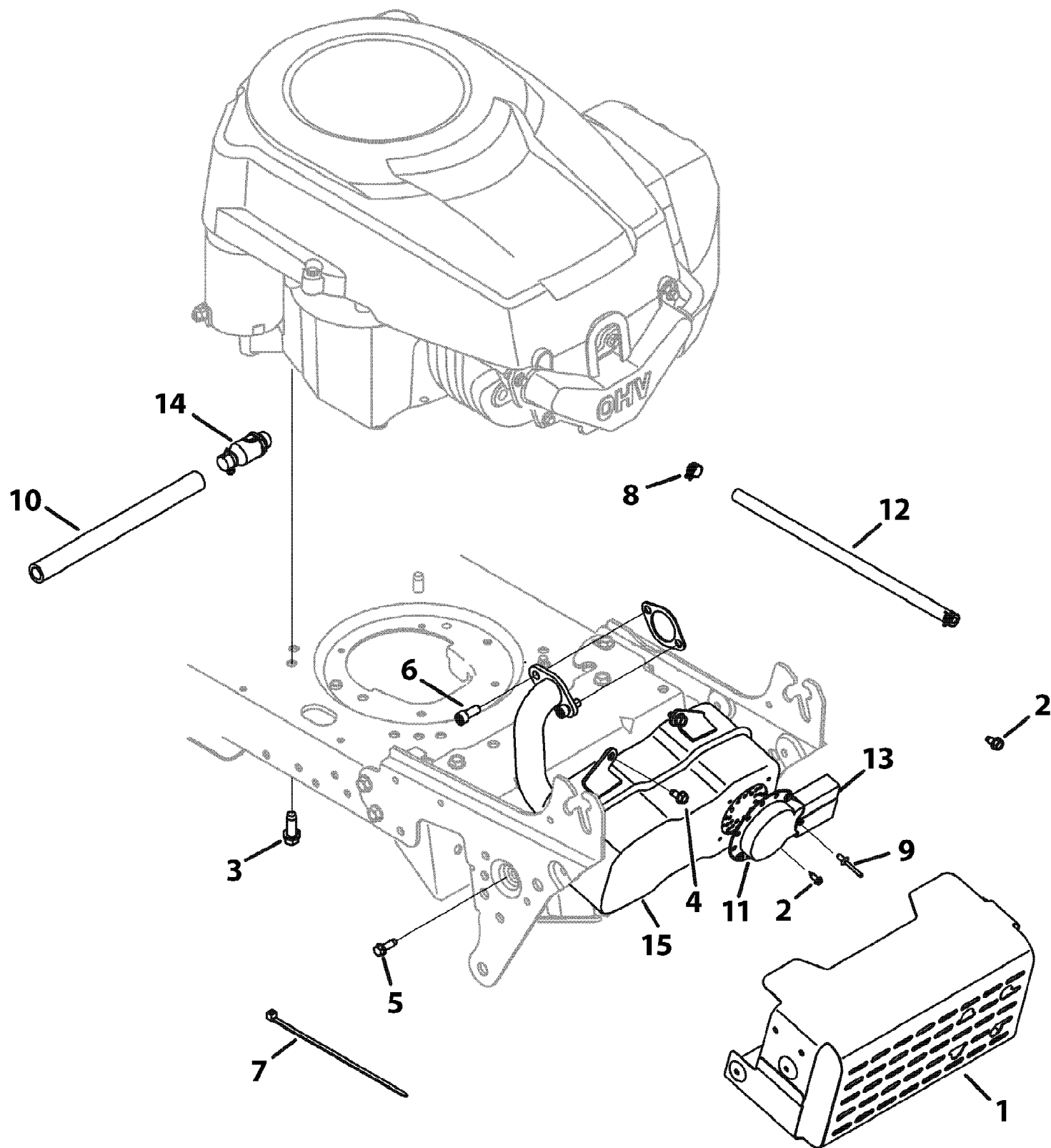
Page 2 of 20

Ref #	Part Number	Qty	S/P/F	Description
1	918-04566	1	/P	Transmission Drive Assembly
2	647-04034C-0637	1		Pedal Assembly - Powder Black
3	647-04035	1		Shaft Lever Assembly
4	710-0227	1	/P	Screw, 8-18:0.500
5	710-04484	1		Screw, 5/16-18 x .750
6	710-0599	1	/P	Screw, 1/4-20 x 0.500
7	710-0604A	1	/P	Screw, 5/16-18 x 0.625
8	710-0809	1		Screw, 1/4-20 x 1.250
9	710-1266	1	/P	Hex Screw, 5/16-18 x .625
9	710-0176	1	/P	Hex Screw, 5/16-18 x 2.75
10	710-3008	1	/P	Hex Screw, 5/16-18 x .75
11	911-04075A	1	/P	Ferrule, 3/8-24 X .375 DIA.
12	712-04063	1	/P	Flangelock Nut, 5/16-18
13	712-0700	1	/P	Flange Nut, 9/16-18
14	914-0209	1	/P	Cotter Pin INT- .125 DIA
15	714-04040	1		Bow-Tie Cotter Pin, 72
16	718-04407	1		Pulley Hub, 5/8 SPLINE
17	720-04028	1		Shift Knob
18	725-0157	1	/P	Cable Tie
19	725-1644	1		Short Spring Switch
20	726-0214	1	/P	Push Cap, 5/8
21	926-0320	1	/P	Plate Insulator Nut
22	731-04602	1		Sleeve, .758 x .821 x 3.3125
23	731-04604	1		Sleeve, .758 x .821 x 2.4375
24	732-04306	1		Spring Extension, .80 OD x 3.28 LG
25	732-04488	1		Spring Extension, .38 OD x 3.25 LG
26	732-0716D	1	/P	Spring Extension, .59 OD x 4.00 LG
27	735-0239	1	/P	Foot Pad, 4.0 LONG
28	756-04325	1	/P	Idler Pulley
29	747-05243	1		Shift Rod, 46"
29	747-05244	1		Shift Rod, 38/42"
30	747-05186	1		Variable Speed Control Rod
31	747-04733A	1		Brake Rod
32	747-04969	1		Belt Keeper Rod
33	948-0334	1	/P	Spacer, T-Axle, 46" Only
34	750-0566A	1	/P	Spacer, .260 x .375 x 1.030 LG
35	750-0802	1		Spacer, .640 ID x .76 OD x 2.63
36	954-0241A	1	/P	V Belt, 5L 35.25 POLY
37	954-04249	1	/P	V Belt, 5L 70.90 POLY
38	956-04002	1	/P	V Pulley 7.25 DIA SPUN
39	783-04536B-0637	1	/P	Pedal Support Bracket
40	783-04595A	1		Shaft Adjust Bracket
41	956-04015A	1	/P	Variable Speed Pulley Assembly
42	683-04176A	1	/P	Transmission Bracket Assembly
43	683-04207	1		Idler Bracket Assembly
44	710-0347	1	/P	Hex Screw, 3/8-16 x 1.75
45	710-1260A	1	/P	Screw, 5/16-18 x 0.750
46	712-04065	1	/P	Flangelock Nut, 3/8-16
47	938-0347	1	/P	Shoulder Spacer, .625 ID x .169
48	683-04206	1		Bracket Assembly
49	710-0627	1	/P	Hex Screw, 5/16-24 x .750
50	710-0778	1	/P	Screw, 1/4-20 x 1.500
51	718-04261	1		

13AV77TF090 (2010)
Drive Transmission

Page 3 of 20

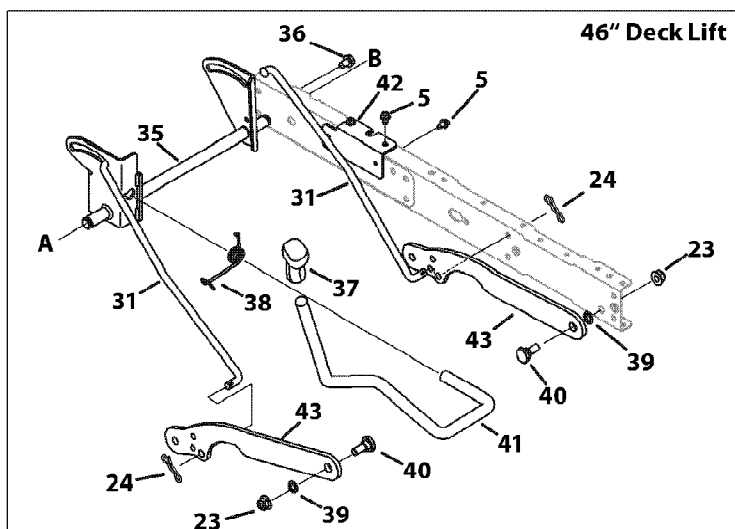
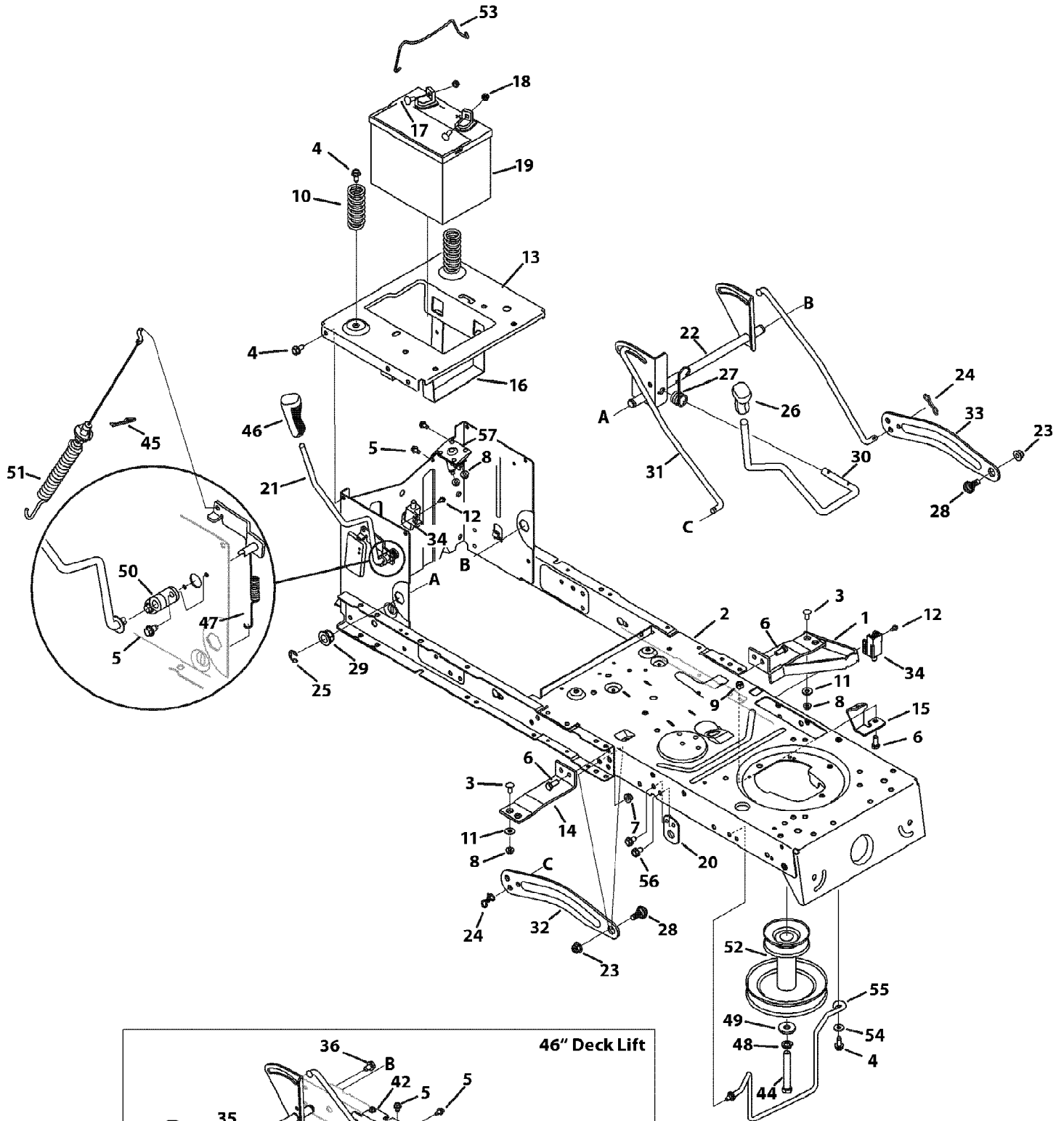
Ref #	Part Number	Qty	S/P/F	Description
52	732-0459C	1	/P	Extension Spring, .94 OD x 6.74 LG
53	736-0362	1	/P	Flat Washer, .330 x 1.25 x .06:HT
54	941-0600	1	/P	Ball Bearing, 17 x 40 x 12
55	634-0104-0911	1	/P	Wheel, 20 x 8 x 8, 38/42" Grey
56	736-0242	1	/P	Bell Washer, .340 x .872 x .060
57	725-04363	1		Switch Interlock
58	17962	1		Plate Switch
59	738-04237A	1		Shoulder Screw, #10-32 x .500
60	731-06894	1		Shift Plate Bearing
61	634-04369-0662	1		Rim Only
62	934-0255	1	/P	Valve
63	734-1730-0901	1	/P	Tire, 20 x 8 x 8



13AV77TF090 (2010)
Engine Accessories

Page 5 of 20

Ref #	Part Number	Qty	S/P/F	Description
1	683-04549-0637	1	/P	Muffler Shield Assembly with Weld
2	710-0227	1	/P	Screw, 8-18 x .500
3	710-04683	1		Screw, 3/8-16 x 1.0
4	710-0599	1	/P	Screw, 1/4-20 x .500
5	710-0642	1	/P	Screw, 1/4-20 x .750
6	710-1314A	1	/P	Socket Screw, 5/16-18 x .750
7	725-0157	1	/P	Cable Tie
8	726-0205	1	/P	Clamp Hose, .490 diameter
9	728-04000	1		Rivet, .188 x .300
10	751-3141-14	1	/P	Oil Drain, Extension Hose
11	751-0564B	1	/P	Muffler Deflector
12	751-10349-28	1	/P	Fuel Hose, Low Permeation
13	751-10353	1		Muffler Deflector Long
14	951-10517A	1	/P	Oil Drain
15	751-11022	1		Muffler



13AV77TF090 (2010)
Frame & PTO Lift

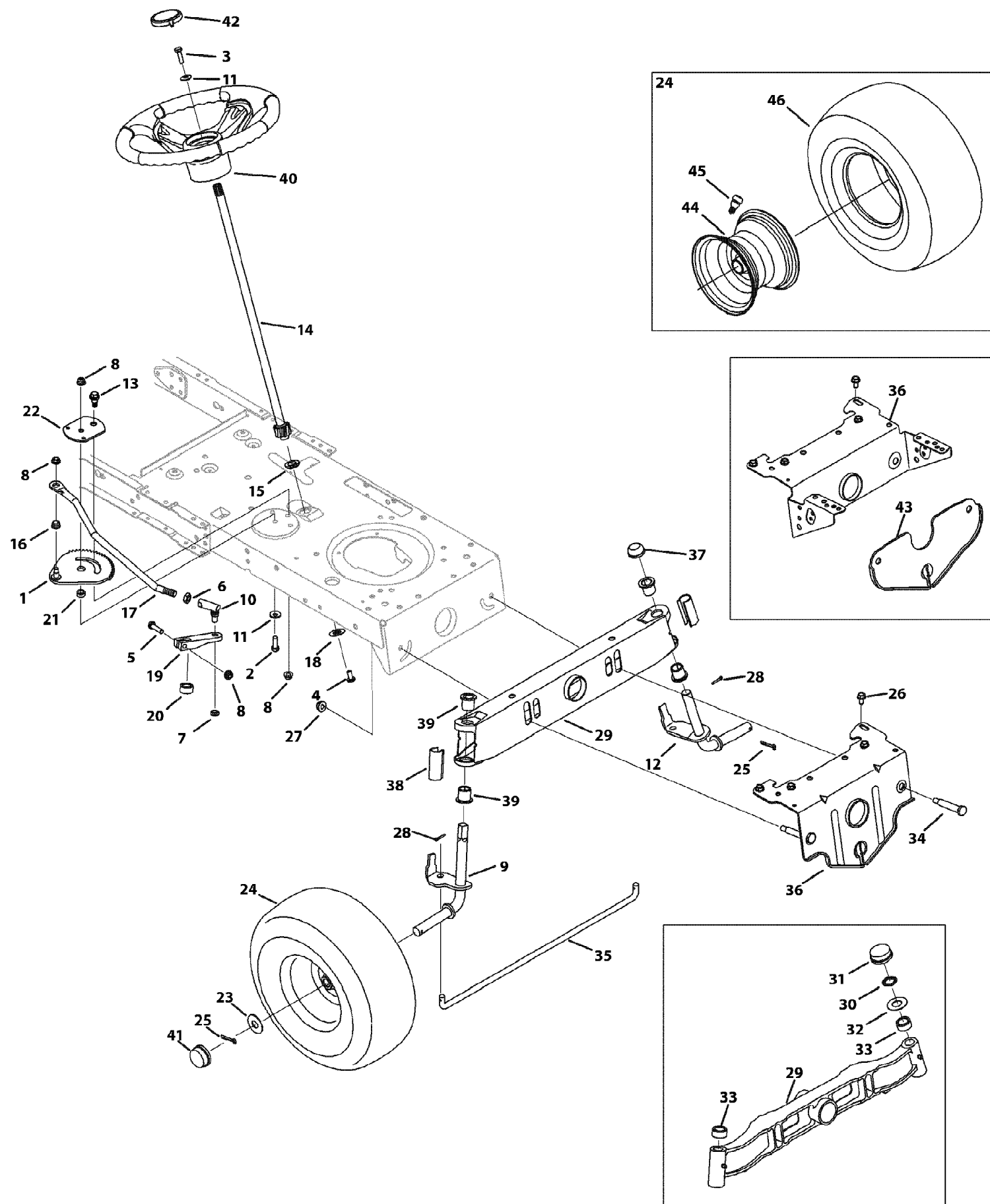
Page 7 of 20

Ref #	Part Number	Qty	S/P/F	Description
1	683-04195-0637	1		Support Bracket
2	683-04601-0637	1		Frame Assembly - Powder Black
3	710-0134	1	/P	Screw Carriage, 1/4-20 x .62
4	710-04484	1		Screw 5/16-18 x .750
5	710-0599	1	/P	Screw, 1/4-20 x .500
6	710-3008	1	/P	Hex Screw, 5/16-18 x .75
7	712-04063	1	/P	Flangelock Nut, 5/16-18
8	712-04064	1	/P	Flangelock Nut, 1/4-20
9	912-0429	1	/P	Hexlock Nut, 5/16-18
10	732-04035	1		Compression Spacer, 1.28 x 3.125
11	736-0173	1	/P	Flat Washer, .28 x .74 x .063
12	738-04237A	1		Shoulder Spacer, 10-32 x .500
13	783-04548C-0637	1	/P	Seat Frame Bracket
14	783-04637-0637	1	/P	Running Board Bracket
15	783-04753-0637	1		Support Frame Bracket
16	783-04869A-0637	1	/P	Battery Bracket
17	710-04666	1		Hex Head Flange, 1/4-20 x .75
18	712-0271	1	/P	Sems Nut, 1/4-20
19	925-1707D	1	/P	230 CCA Battery
20	783-04536B-0637	1	/P	Support Bracket
21	647-04096-0637	1	/P	PTO Handle Assembly
22	683-04155A-0637	1	/P	Lift Assembly, 38/42"
23	712-04065	1	/P	Flangelock Nut, 3/8-16
24	714-04040	1		Bow-tie Cotter Pin
25	716-0106A	1		E Ring
26	720-0311	1		Handle Grip, 1/2
27	732-04225	1		Torsion Spring
28	738-04130	1		Shoulder Bolt, 3/8-16 x .625 x .175
29	941-0225	1	/P	Hex Flange Bearing
30	747-04282	1		Deck Lift Handle
31	747-04393	1		Lift Rod
32	783-04494C-0637	1	/P	38/42" Lift Arm, RH
33	783-04711C-0637	1	/P	38/42" Lift Arm, LH
34	725-04363	1		Switch Interlock
35	683-04334-0637	1	/P	Lift Assembly, 46"
36	710-0604A	1	/P	Screw, 5/16-18 x .625
37	720-0298	1		Handle Grip, 5/8
38	732-04438	1		Torsion Spring Handle, 46"
39	936-0140	1	/P	Flat Washer, .385 x .62 x .063
40	938-0380	1	/P	Shoulder Bolt, 3/8-16 x .500 x .270
41	747-04653	1		46" Lift Handle
42	783-05389A-0637	1	/P	Frame Brace Bracket
43	783-0678C-0637	1	/P	Lift Deck Link
44	710-04607	1		Hex Screw, 7/16-20 x 2.75, 46"
44	710-04608	1		Hex Screw, 7/16-20 x 3.25, 38/42"
45	914-0145	1	/P	Click Pin, .092 x 1.64
46	720-04049A	1	/P	Handle Grip, 3/8
47	732-04276A	1	/P	PTO Spring Extension
48	936-0171	1	/P	Regular Duty Washer Lock, 7/16
49	736-0322	1	/P	Flat Washer, .450 x 1.250 x .164
50	741-04119A	1	/P	PTO Bearing
51	946-04173B	1	S	Deck Engage Cable
52	756-04207A	1	/P	3.39 x 6.12, 46"

13AV77TF090 (2010)
Frame & PTO Lift

Page 8 of 20

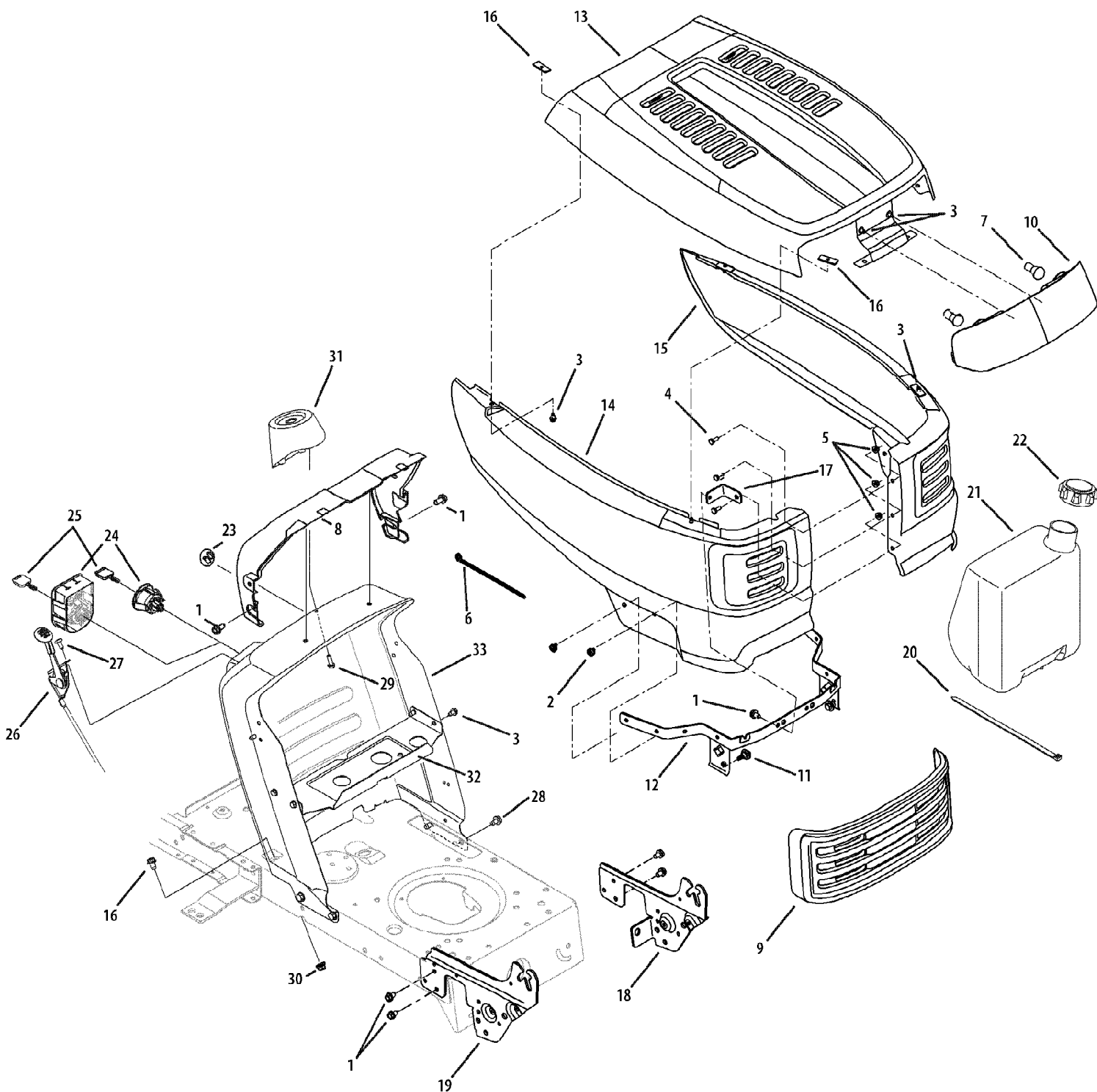
Ref #	Part Number	Qty	S/P/F	Description
52	756-04196A	1	/P	Engine Pulley, 3.39 x 6.12, 38/42"
53	683-04448-0637	1	/P	Battery Hold Down Rod
54	936-0300	1	/P	Flat Washer, .406 x .875 x .059
55	747-04332A	1	/P	Belt Keeper 38" deck
56	710-0604A	1	/P	Screw, 5/16-18.0 x .625
57	725-04439	1		12V Solenoid



13AV77TF090 (2010)
Front End Steering

Page 10 of 20

Ref #	Part Number	Qty	S/P/F	Description
1	617-04024	1	S	Front Steering Gear Assembly
2	710-0376	1	/P	Hex Screw, 5/16-18 x 1.00
3	710-0643	1	/P	Hex Screw, 5/16-18 x 1.00, Lock
4	710-1309	1	/P	Machine Screw, 5/16-18 x .750
5	710-3180	1	/P	Hex Screw, 5/16-18 x 1.75
6	912-0240	1	/P	Jam Nut, 7/16-20
7	912-0214	1	/P	Jamlock Nut, 3/8-24
8	712-04063	1	/P	Flangelock Nut, 5/16-18
9	638-04008P	1	/P	Front RH Axle
9	938-04013	1	/P	46" Front RH Axle
10	923-0448A	1	/P	Ball Joint, 7/16-20
11	736-0242	1	/P	Bell Washer, .340 x .872 x .060
12	938-04007A-0637	1	/P	Front LH Axle
12	938-04014A-0637	1	/P	46" Front LH Axle
13	738-04141	1		Shoulder Bolt, 5/16-18 x .435 x .350
14	738-0919A	1	/P	Steering Shaft, 5/8 x 22.08
15	941-04124	1	/P	Flange Bearing, 5/8
16	941-0475	1	/P	Plastic Bushing, .380 ID
17	747-04298	1		Steering Link
18	948-0389	1	/P	Cap, 1.25 x .16
19	748-04065-0637	1	/P	Steering Block
20	748-04068	1		Spacer, .71 x .125 x .56
21	750-04418	1		Spacer, .322 x .625 .21
22	783-04644	1	S	Gear Segment Stabilizer Plater
23	736-04228A	1		Flat Washer, .781 x 1.590
24	634-04325-0911	1		Wheel Assembly, 42"/38" Grey
25	714-04039	1		Cotter Pin, 5/32 x 1.25
26	710-04484	1		Screw, 5/16-18 x .750
27	712-04065	1	/P	Flangelock Nut, 3/8-16
28	914-0474	1	/P	Cotter Pin, .125 x .75
29	719-04177A	1		Pivot Axle - Cast
29	683-0128B-0637	1	/P	Pivot Axle - Powder Black
30	726-04035	1		Push Nut, 3/4
31	731-04693	1		Hub Cap
32	936-0316	1	/P	Flat Washer, .78 x 1.59 x .060
33	748-04068	1		Spacer, .71 x .125 x .56
34	738-04128	1		Shoulder Bolt, 3/8-16 x .500 x 2.38
35	747-04299A	1	/P	Fixed Rod
36	783-05326-0637	1	/P	Pivot Bar Bracket
36	783-04601C-0637	1		Pivot Bar Bracket
37	726-0341	1	/P	Push Cap, 3/4
38	731-04057A	1		Standard Axle Cap
39	741-0660A	1	/P	Flange Bearing, .760 x .941 x 1.0
40	631-04028	1		Steering Wheel
41	931-0484A	1	/P	Hub Cap
42	731-04039	1		Cap
42	731-04040	1		Sprig Cap
43	783-04568-0637	1		Front Deck Hanger Bracket
44	934-04081-0662	1	/P	Rim Only
45	934-0255	1	/P	Valve
46	734-04240A-0901	1		Tire 15 x 6 x 6 RND SHLDR



13AV77TF090 (2010)
Hood & Dash

Page 12 of 20

Ref #	Part Number	Qty	S/P/F	Description
1	710-04484	1		Screw, tt, 5/16-18, .750
2	710-04593	1		Screw, tt, 5/16-18, 0.375
3	710-0599	1	/P	Screw, tt, 1/4-20, 0.500
4	710-0751	1	/P	Hex Screw, 1/4-20, .620
5	712-04064	1	/P	Nut, Flange Lock, 1/4-20
6	725-0157	1	/P	Cable tie, 3/16 X .05 X 7.4
7	925-0963	1	/P	Lamp, #1156
8	731-05078C	1	/P	Collar, dash, 1/3/5/K/T Sty Lt-5
9	731-06358	1		Ins, grill, T-Style
10	731-06414	1		Lens, T-Style
11	738-04091A	1	/P	Screw, Shldr, .43x.29, Tt, 5/16-18
12	783-04606C-0637	1	/P	Bracket, pivot, hood
13	783-04827-0662	1		Hood
14	783-04828-0662	1		Side Panel, RH
15	783-04967-0662	1		Side Panel, LH W/O Window
16	783-05223	1		Fastener, Hood T-Style
17	783-05315-0637	1	/P	Hood Bracket, Front
18	783-05327B-0637	1	/P	Bracket Support, Pivot LH
19	783-05328A-0637	1	/P	Bracket Support, Pivot RH
20	726-0230	1	/P	Cable Tie
21	751-0555B	1	/P	Fuel Tank
22	751-0603A	1	/P	Fuel Cap
23	731-05265	1		Choke Plug
24	925-04659	1	/P	Key Switch (No RMC) 3 Pos.
24	925-04227B	1	/P	Key Switch Module RMC
25	925-1745A	1	/P	Key
26	746-04364	1		Throttle/Choke Cable
27	710-04483	1		Screw, 1/4-20 x .500
28	710-0604A	1	/P	Screw, 5/16-18 x 0.625
29	710-0895	1		Screw, 1/4-15 x 0.750
30	712-04063	1	/P	Flangelock Nut, 5/16-18
31	731-04945	1		Steering Support
32	783-04584A-0637	1	/P	Gas Tank Support Bracket
33	783-04873B-0637	1	/P	Dash
35	731-05265	1		Choke Plug
36	683-04448-0637	1	/P	Battery Rod
37	726-0230	1	/P	Cable Tie
38	751-0555B	1	/P	Fuel Tank, 1.5 Gallon
39	751-0603A	1	/P	Fuel Cap
40	746-04364	1		Throttle/Choke Cable

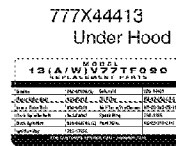
LENS LABELS

777X42188 Right Side

777X42187 Left Side

777X42316 Center

BJ label Has Important Emmissions Information



777122773 Centered On Steering Wheel



777D12087 On Top Of Hood With Arrow Facing Operators Position



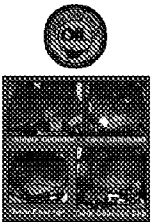
777122453 Place On Fender With The PTO Side Next To The PTO And The Deck Height Next To The Deck Height



777D10797 Center On Rear Fender



777122679 Top Of Engine



777D14576 Center Above Vents On Right Side Panel



777D14577 Center Above Vents On Left Side Panel



777D14574 Center Around Bolts, Lower Front Hoodside



777D14575 Center Around Bolts, Lower Front Hoodside



777D14571 On Drivers Left Side Fender



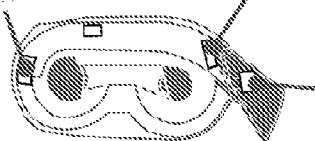
777S30018



777S30503



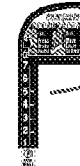
REF: Chute Label



777122454



777122455



777122479

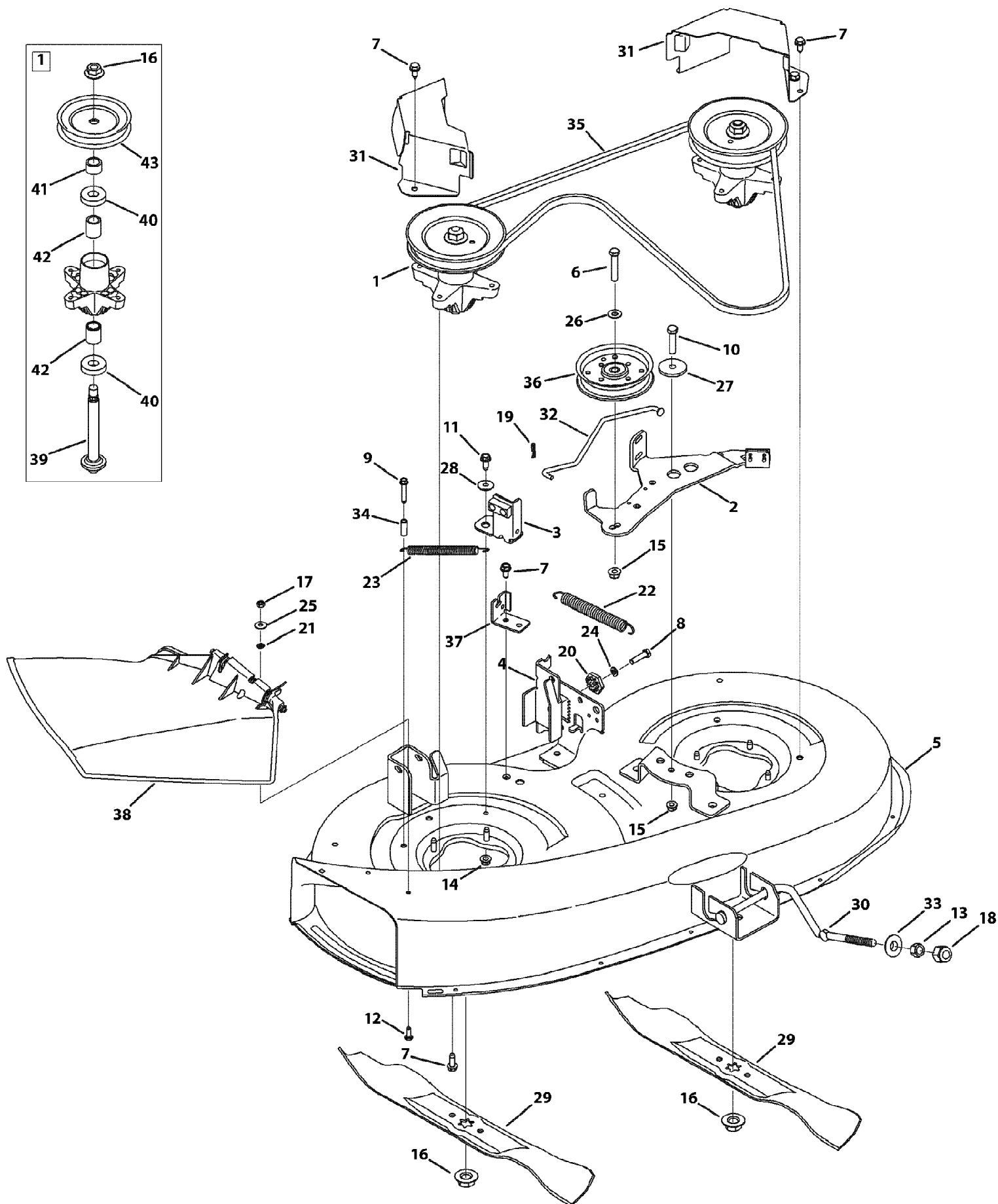
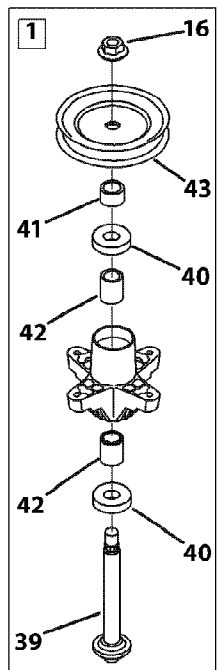


13AV77TF090 (2010)
Label Map

Page 14 of 20

Ref #	Part Number	Qty	S/P/F	Description
777D10797	777D10797	1		LABEL-REAR FRAME WHITE OUTDOOR
777D12087	777D12087	1		LABEL-RIDER HOOD T KOHLER
777D14571	777D14571	1		LABEL-RDR:38 WHITE
777D14574	777D14574	1		LABEL-RDR:T/LWR GRL:38
777D14575	777D14575	1		LABEL-RDR:T/LWR GRL:38:R
777D14576	777D14576	1		LABEL-RDR:PLAIN T STY WHITE R
777D14577	777D14577	1		LABEL-RDR:PLAIN T STY WHITE L
777I22453	777I22453	1		LABEL:RIDER LT-5 F
777I22454	777I22454	1		LABEL:RIDER LT-5 F
777I22455	777I22455	1		LABEL:RIDER LT-5 D
777I22479	777I22479	1		LABEL: RIDER LT-5
777I22679	777I22679	1		LABEL-CHECK ENG OIL
777S33017	777S33017	1		LABEL-LT 5 TRANS COVER NO OCR
777X42188	777X42188	1		LABEL-RIDER T STYL
777X42316	777X42316	1		LABEL-RIDER TROY M
777X44413	777X44413	1		LABEL-RDR:PRTS LST 13AV77TF090
777S30018	777S30018	1	/P	LABEL-DECK SAFETY
777S30503	777S30503	1	/P	LABEL-DANGER CHUTE

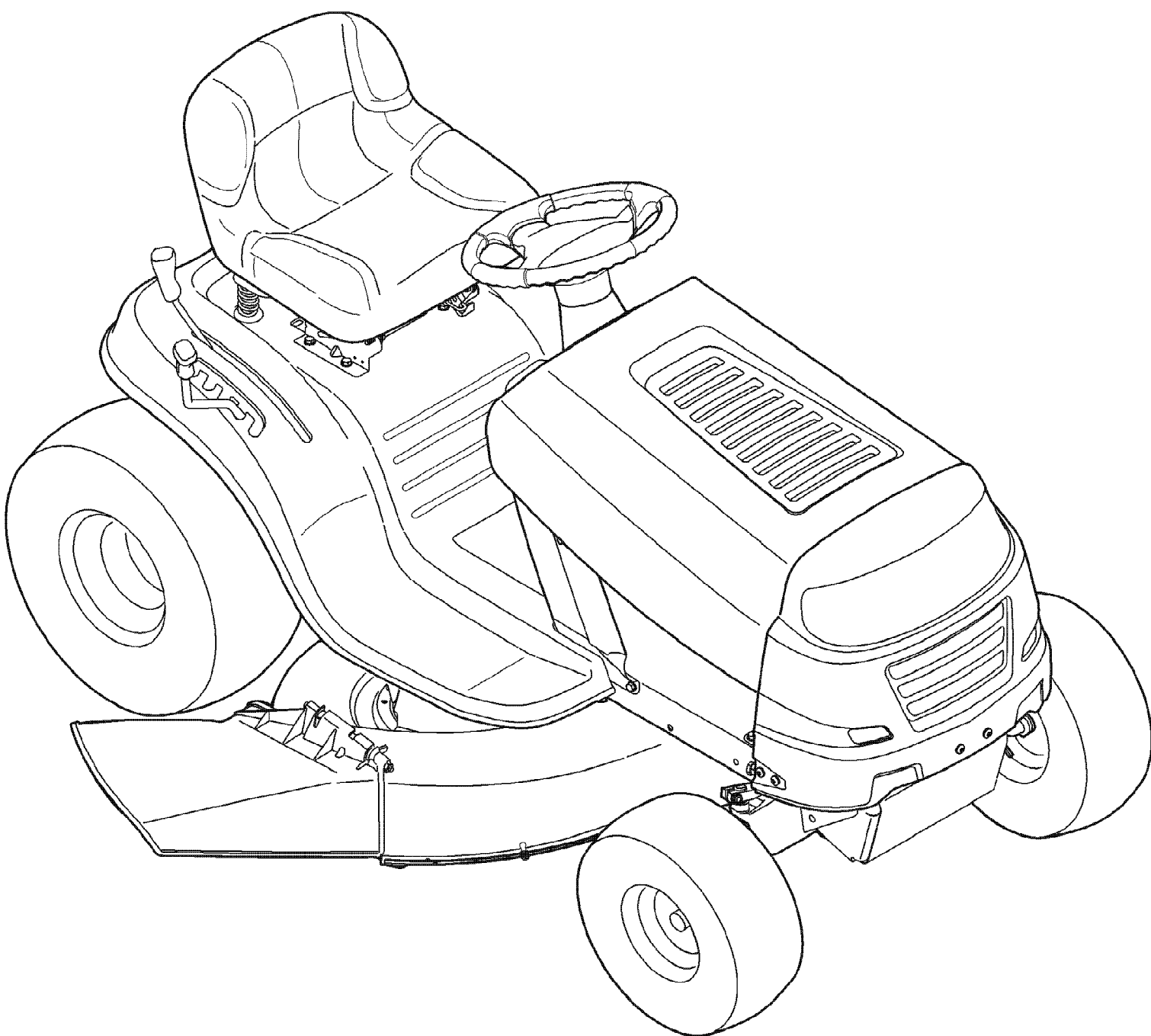
13AV77TF090 (2010)
Mower Deck 38-Inch



13AV77TF090 (2010)
Mower Deck 38-Inch

Page 16 of 20

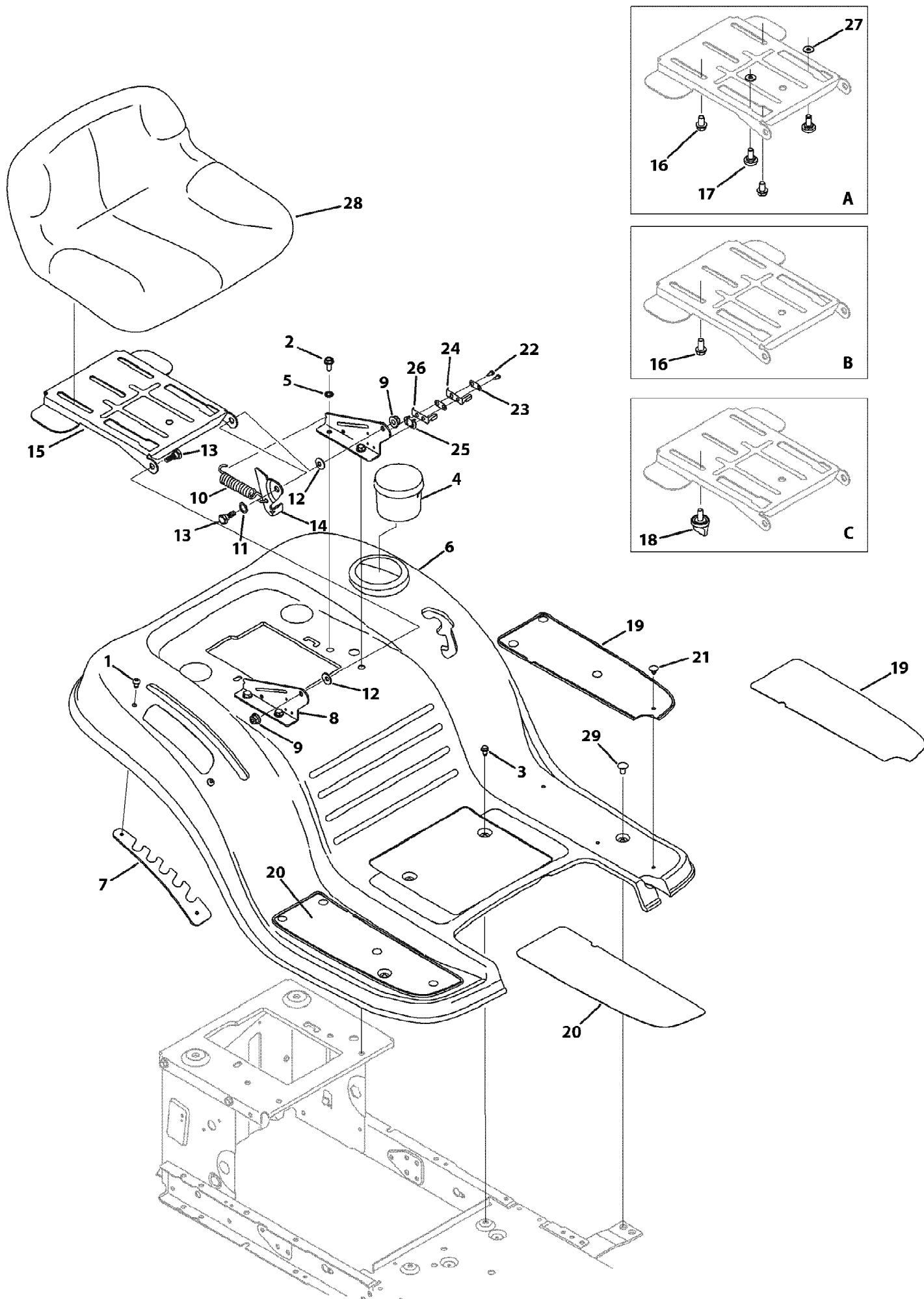
Ref #	Part Number	Qty	S/P/F	Description
1	918-04474A	1	/P	5.75" Pulley Spindle Assembly
2	683-04138B-0637	1	/P	Deck Brake Assembly
3	983-04167	1	/P	Deck Brake Assembly
4	683-04228-0637	1		LH Deck Hanger Bracket
5	983-04263-0637	1	/P	38" Deck Assembly - Powder Black
6	710-0347	1	/P	Hex Screw, 3/8-16 x 1.75
7	710-04484	1		Screw, 5/16-18 x .750
8	710-0528	1	/P	Hex Screw, 5/16-18 x 1.25
9	710-0778	1	/P	Screw, 1/4-20 x 1.50
10	710-3005	1	/P	Hex Screw, 3/8-16 x 1.25
11	710-3008	1	/P	Hex Screw, 5/16-18 x .75
12	710-3015	1	/P	Hex Screw, 1/4-20 x .75
13	912-0206	1	/P	Hex Nut, 1/2-13
14	712-04063	1	/P	Flangelock Nut, 5/16-18
15	712-04065	1	/P	Flangelock Nut, 3/8-16
16	712-0417A	1	/P	Flange Nut, 5/8-18
17	712-3006	1	/P	Hex Nut, 1/4-20
18	712-3083	1	/P	Hexlock Nut, 1/2-13
19	914-0104	1	/P	Cotter Pin, .072 Diameter
20	917-04074	1	/P	Deck Adjuster Gear
21	726-0233	1	/P	Push Nut, .25 x .50
22	732-04280B	1	/P	Extension Spring, .75 x 6.375
23	732-04287	1		Extension Spring, .500 x 6.375
24	936-0119	1	/P	Lock Washer, 5/16
25	736-0270	1	/P	Bell Washer, .265 x .75 x .062
26	936-0300	1	/P	Flat Washer, .406 x .875 x .059
27	738-04162A	1	/P	Shoulder Spacer, .8840 x .190
28	738-04166	1		Shoulder Spacer, .5000 x .1475
29	942-0610A	1	/P	3 in 1 Blade
30	747-04322	1		38" Front Adjust Deck Rod
31	783-04602A-0637	1	/P	Belt Cover - Powder Black
32	747-04381	1	/P	38" Brake Control Rod
33	748-04069	1		Deck Lift, Pivot Cup
34	750-0566A	1	/P	Spacer, .260 x .375 x 1.030
35	954-04062	1	/P	V Type Belt
36	756-04129B	1	/P	Idler Pulley
37	783-04740-0637	1		Deck Engage Cable Bracket
38	631-0216A	1	/P	Chute Assembly
38	931-1032B	1	/P	Chute Assembly
39	938-04241	1	/P	Spindle Shaft, 5.50
40	941-0919	1	/P	Ball Bearing, .787ID x 1.85 OD x .551
41	750-04739	1		Spacer, .820 x 1.150 x .480 LG
42	750-1000	1		Spacer, .80 x 1.10 x 1.322 LG
43	756-1188	1		Deck Pulley, 5.75



13AV77TF090 (2010)
Quick Reference

Page 18 of 20

Ref #	Part Number	Qty	S/P/F	Description
	KH-12-050-01-S	1	/P	OIL FILTER
	KH-20-883-02-S1	1	/P	AIR FILTER
	KH-20-883-02-S1	1	/P	PRE-CLEANER ELEMENT
	759-3336	1	/P	SPARK PLUG
	KH-25-050-21-S	1	/P	FUEL FILTER
	942-0610A	1	/P	BLADES
	712-0417A	1	/P	BLADE NUT
	954-0241A	1	/P	UPPER DRIVE BELT
	954-04249	1	/P	LOWER DRIVE BELT
	954-04062	1	/P	DECK SPINDLE BELT
	N/A	1		ENGINE TO DECK BELT
	918-04474A	1	/P	DECK SPINDLES
	925-1745A	1	/P	IGNITION KEYS
	725-04439	1		SOLENOID
	751-0603A	1	/P	FUEL CAP
	N/A	1		DECK WHEELS
	923-0448A	1	/P	BALL JOINTS
	725-04363	1		SAFETY SWITCH-DECK/PTO
	725-04363	1		SAFETY SWITCH-BRAKE/CLUTCH
	N/A	1		WATER NOZZLE ADAPTER
	OEM-190-116	1	/P	MULCH KIT Attachment
	OEM-190-180A	1	/P	BAGGER Attachment
	OEM-190-679	1	/P	BUMPER KIT Attachment



13AV77TF090 (2010)
Seat & Fender

Page 20 of 20

Ref #	Part Number	Qty	S/P/F	Description
1	710-04483	1		Screw, 1/4-20 x .500
2	710-04484	1		Screw, 5/16-18 x .750
3	710-0599	1	/P	Screw Pan Torx Head, 1/4-20 x .500
4	731-04591A	1	/P	Cup Holder
5	736-0607	1	/P	Lock Washer, 5/16
6	783-04587C-0650	1		Fender - Red Metallic
7	783-04843-0637	1		Lift Adjuster Bracket - Powder Black
8	783-1489C-0637	1	/P	Seat Mount Bracket - Powder Black
9	712-04063	1	/P	Flangelock Nut, 5/16-18
10	732-1184	1	/P	Extension Spring
11	936-0108	1	/P	Flat Washer, .510x .750 x .033
12	736-0242	1	/P	Bell Washer, .340 x .872 x .060
13	938-0296	1	/P	Shoulder Screw, 5/16-18 x .437 x .268
14	783-0209D	1	/P	Lift Seat Bracket
15	783-04081C-0637	1	/P	Pivot Seat Manual Adjust Bracket
16	710-04482	1		Hex Head Flange, 3/8-16 x .875
17	738-04012A	1	/P	Shoulder Screw, 3/8-16 x .625 x .145
18	720-04061	1		Knob, 3/8-16 x .875
19	735-04047	1		Foot Pad, LH
19	723-04026	1		Foot Pad, Abrasive, LH
20	735-04048	1		Foot Pad, RH
20	723-04025	1		Foot Pad, Abrasive, RH
21	726-04072A	1	/P	Ratchet Clip, .250 x .500
22	710-0227	1	/P	Screw, 8-18 x .500
23	726-0279	1		Insulator Plate
24	925-1303	1	/P	Outer Seat Spring
25	726-0278	1		Insulator Boss Plate
26	725-1439	1		Inner Seat Spring
27	936-0140	1	/P	Flat Washer, .385 x .62 x .063
28	757-04099	1		Low Back Seat, Black, Set-up B or C
29	710-0134	1	/P	Screw Carriage, 1/4-20 x .62